



Compressor
Voltage Code : FZ

AE4425Y-FZ1A

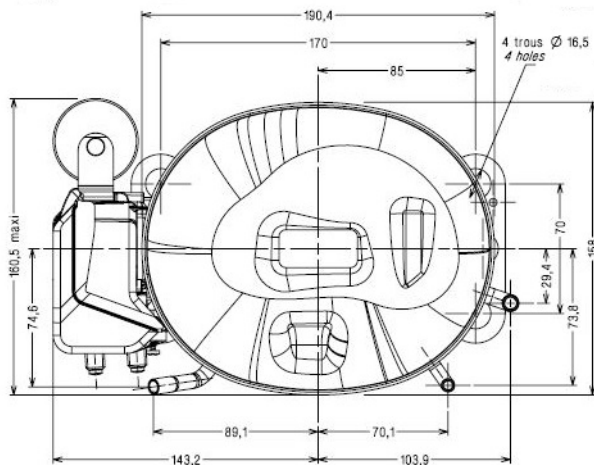
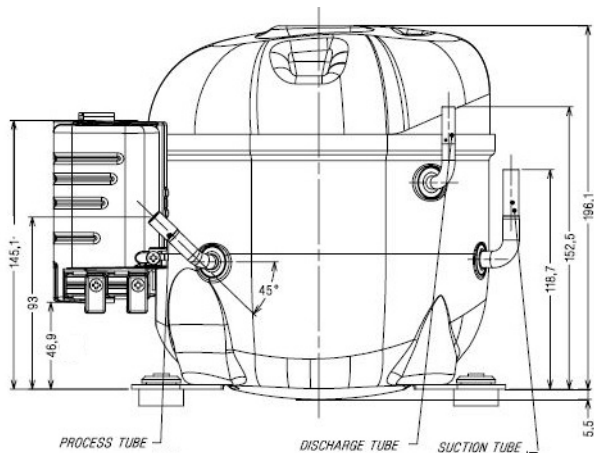
High Temp. Commercial (HP)

220 - 240V 1~ 50 Hz

R134a

AE4425Y-FZ1A_BR

Conditions	Frequency	Nominal Cooling Capacity		Sound Power ISO3745 / ISO 3743-1
		Watts	BTU/h	
EN12900 / R134a	50 Hz	552	1882	50 dBA



* EN12900 : T°Cond. 50.0°C / T°Evap. 5.0°C / T°Return gas temp.. 20.0°C
T°Subcooling. 0.0K

Certificates :



Displacement (cc)	6.69
Net Weight (Kg)	9.1
Oil Quantity (cc)	280.0
Oil Type	Polyolester
Expansion Device	Capillary_Tube/Expansion_Valve
Cooling	Fan
Main Winding (Ohm)	12.85
Start Winding (Ohm)	27.56
Current	
RLA (A)	1.65
LRA (A)	10.5
Electrical Equipment	CSIR
Overload	T89009
Time Check	6.5s - 16s / 7.00 A
Open Temp	135° C
Close Temp	52° C
Start Capacitor	64 µF / 250 V
Current Relay	RP36**
Pick Up	4.35A
Drop Out	3.7A
Refrigerating connection for OD	
Suction Tube	6.35 (1/4")
Discharge Tube	4.76 (3/16")
Process Tube	6.35 (1/4")

Note : Tecumseh reserves the right to change information contained in this document without notification.



Tecumseh

AE4425Y-FZ1A	Tension FZ : 220 - 240V 1~ 50 Hz
---------------------	---

Les performances sont données dans les **conditions EN12900** :
 Condition Dew
 The performance data are in **EN12900 conditions** :
 Dew Condition

Gaz aspirés : 20.0 °C
 Sous refroidissement : 0.0 K
 Return gas : 20.0 °C
 Subcooling : 0.0 K

50 Hz R134a											
N°3025											
4 T condensation	5 T évaporation	(°C)	-25	-20	-15	-10	-5	0	5	10	15
30	1 P frigorifique	(Watt)	136	200	275	365	470	593	735	899	1087
	2 P absorbée	(W)	135	149	161	172	182	191	199	207	214
	3 I absorbée	(A)	1.21	1.24	1.27	1.29	1.32	1.34	1.36	1.38	1.40
40	1 P frigorifique	(Watt)	104	165	236	317	411	520	645	790	955
	2 P absorbée	(W)	135	153	171	186	201	214	227	238	250
	3 I absorbée	(A)	1.18	1.23	1.28	1.33	1.38	1.42	1.47	1.51	1.55
50	1 P frigorifique	(Watt)		128	193	265	348	443	552	676	819
	2 P absorbée	(W)		153	176	197	217	236	254	271	288
	3 I absorbée	(A)		1.22	1.29	1.36	1.43	1.50	1.57	1.63	1.70
60	1 P frigorifique	(Watt)			148	213	284	365	456	561	680
	2 P absorbée	(W)			179	207	233	258	283	306	329
	3 I absorbée	(A)			1.29	1.39	1.48	1.58	1.67	1.75	1.84



© 2019 Tecumseh Products Company
All rights reserved

1 = cooling capacity 2 = power input 3 = current 4 = condensing temperature 5 = evaporating temperature

Nota : Tecumseh se réserve le droit de modifier les informations contenues dans ce document sans préavis.
Note : Tecumseh reserves the right to change information contained in this document without notification.