



Condensing unit  
Voltage Code : FZ

# AET4425YHR-FZ

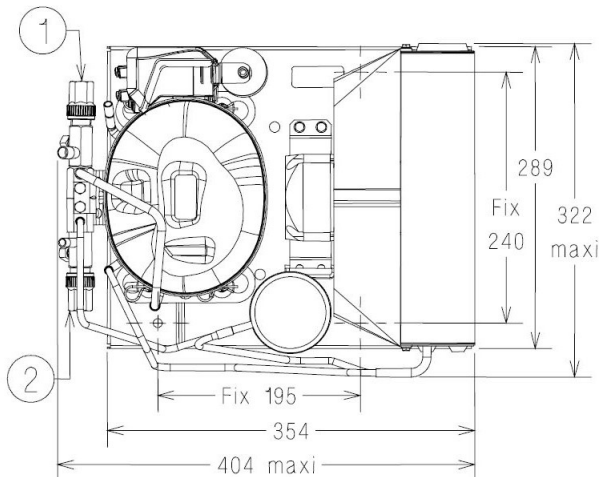
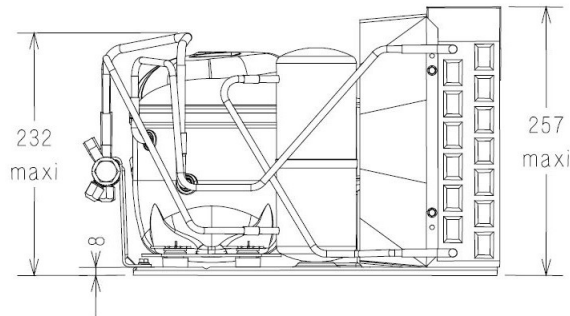
High Temp. Commercial (HP)

220 - 240V 1~ 50 Hz

R134a

## AET4425YHR-FZ

Conditions	Frequency	Nominal Cooling Capacity		Sound Power ISO3745 / ISO 3743-1
		Watts	BTU/h	
EN13215 / R134a	50 Hz	320	1090	59 dBA



\* EN13215 : T°Ambient 32.0°C / T°Evap. -10.0°C / T°Return gas temp.. 20.0°C  
T°Subcooling. 3.0K

<b>Net Weight (Kg)</b>	18.9
<b>Expansion device</b>	Expansion_Valve
<b>Air Flow (m³/h)</b>	410
<b>Compo Data Sheet</b>	213ES-FZ
<b>Elec Comp Type</b>	CSIR
<b>Current (Amp)</b>	
Load Rated Amp	1.8
Max Cont Current	2.6
Lock Rotor Amp	9.6
<b>Fan</b>	
Speed (rpm)	1300
Power (W)	5.0
Diameter (mm)	200
Protection	Impedance
IP Level	IP42
<b>Condenser</b>	205/1660
<b>Liquid Receiver</b>	
Capacity (L)	0.75
Maximum Pressure (Bars)	32.0
<b>Suction Line</b>	
Suction Type	Vanne de Socle
For Tubing Out Diam	9.5 (3/8")
Suction Connection Type	Brased
<b>Liquid Line</b>	
Liquid Line Type	Vanne de Socle
For Tubing Out Diam	6.35 (1/4")
Liquid Connecton Type	Brased
<b>Connection Type</b>	VR
<b>Fan Guard</b>	maille < à 8mm

Note : Tecumseh reserves the right to change information contained in this document without notification.



**Tecumseh**

<b>AET4425YHR-FZ</b>	<b>Tension FZ : 220 - 240V 1~ 50 Hz</b>
----------------------	-----------------------------------------

Les performances sont données dans les <b>conditions EN13215</b> :	Gaz aspirés :	20.0 °C
Condition Dew	Sous refroidissement :	3.0 K
The performance data are in <b>EN13215 conditions</b> :	Return gas :	20.0 °C
Dew Condition	Subcooling :	3.0 K

<b>50 Hz R134a</b>											
<b>N°513E-FZ</b>											
5   T ambience	6   T évaporation	(°C)	<b>-25</b>	<b>-20</b>	<b>-15</b>	<b>-10</b>	<b>-5</b>	<b>0</b>	<b>5</b>	<b>10</b>	<b>15</b>
<b>25</b>	1   P frigorifique	(Watt)	137	199	270	351	442	542	651	766	887
	2   P absorbée	(W)	184	191	201	213	228	244	263	284	307
	3   I absorbée	(A)	1.59	1.57	1.57	1.58	1.61	1.65	1.71	1.79	1.88
	4   Tc	(°C)	30.3	31.5	33.0	34.7	36.6	38.8	41.2	43.9	46.9
<b>32</b>	1   P frigorifique	(Watt)		176	244	320	403	495	593	696	803
	2   P absorbée	(W)		192	205	221	239	259	281	305	332
	3   I absorbée	(A)		1.57	1.58	1.60	1.64	1.70	1.77	1.86	1.96
	4   Tc	(°C)		38.0	39.4	41.1	42.9	45.1	47.5	50.1	53.0
<b>43</b>	1   P frigorifique	(Watt)			200	267	340	418	499	584	670
	2   P absorbée	(W)			212	233	256	281	309	339	371
	3   I absorbée	(A)			1.59	1.64	1.70	1.78	1.87	1.98	2.10
	4   Tc	(°C)			49.6	51.1	52.9	54.9	57.2	59.8	62.5



© 2019 Tecumseh Products Company  
All rights reserved

1 = cooling capacity 2 = power input 3 = current 4 = condensing temperature 5 = ambient temperature 6 = evaporating temperature

**Nota : Tecumseh se réserve le droit de modifier les informations contenues dans ce document sans préavis.**  
**Note : Tecumseh reserves the right to change information contained in this document without notification.**